

Joto 2 in 1 MugPress Manual

Model No.: E-HP-JMP-21

OPERATOR'S MANUAL



JOTOTM
Bringing images to lifeTM

Safety Instructions

For Use By Qualified Personnel Only

When using your Mug Press, basic precautions should always be followed, including the following:

Read all instructions.

Use mug press only for its intended use.

Keep the mug press dry at all times. Do not get the mug press wet to reduce the risk of electric shock. Do not store mug press in a wet or damp area.

Never pull cord to disconnect the power, grasp plug and pull to disconnect from power outlet.

Protect the power cord by keeping it away from hot surfaces. Do not allow objects to sit on top of the cord. This could cause damage to the cord and could become a fire hazard risk.

Do not operate mug press with a damaged cord or if the equipment has been damaged. Do not disassemble or attempt to repair the mug press to prevent risks to injury. Call or take it to a qualified service person for examination and repair. Incorrect assembly or repair could increase the risk of fire, electric shock, or injury to persons when the equipment is used.

Supervision is necessary for any mug press being used by or near children. Do not leave equipment unattended while connected.

Metal parts on the press can become hot. Burns may occur when touching hot metal parts. Take caution when using the mug press

To reduce the likelihood of circuit overload, It is recommended to use a dedicated circuit if possible.

Care should be taken to arrange the cord so that it cannot be pulled or tripped over.

If an extension cord is necessary, then a 20 amperage rated cord should be used. Cords rated for less amperage may overheat. Care should be taken to arrange the cord so that it cannot be pulled or tripped over.

Note: Temperature is in Celsius. This mug press should not be set to exceed 200C. Setting the press temperature to above 200C will burn out your mug element and may cause a fire hazard.

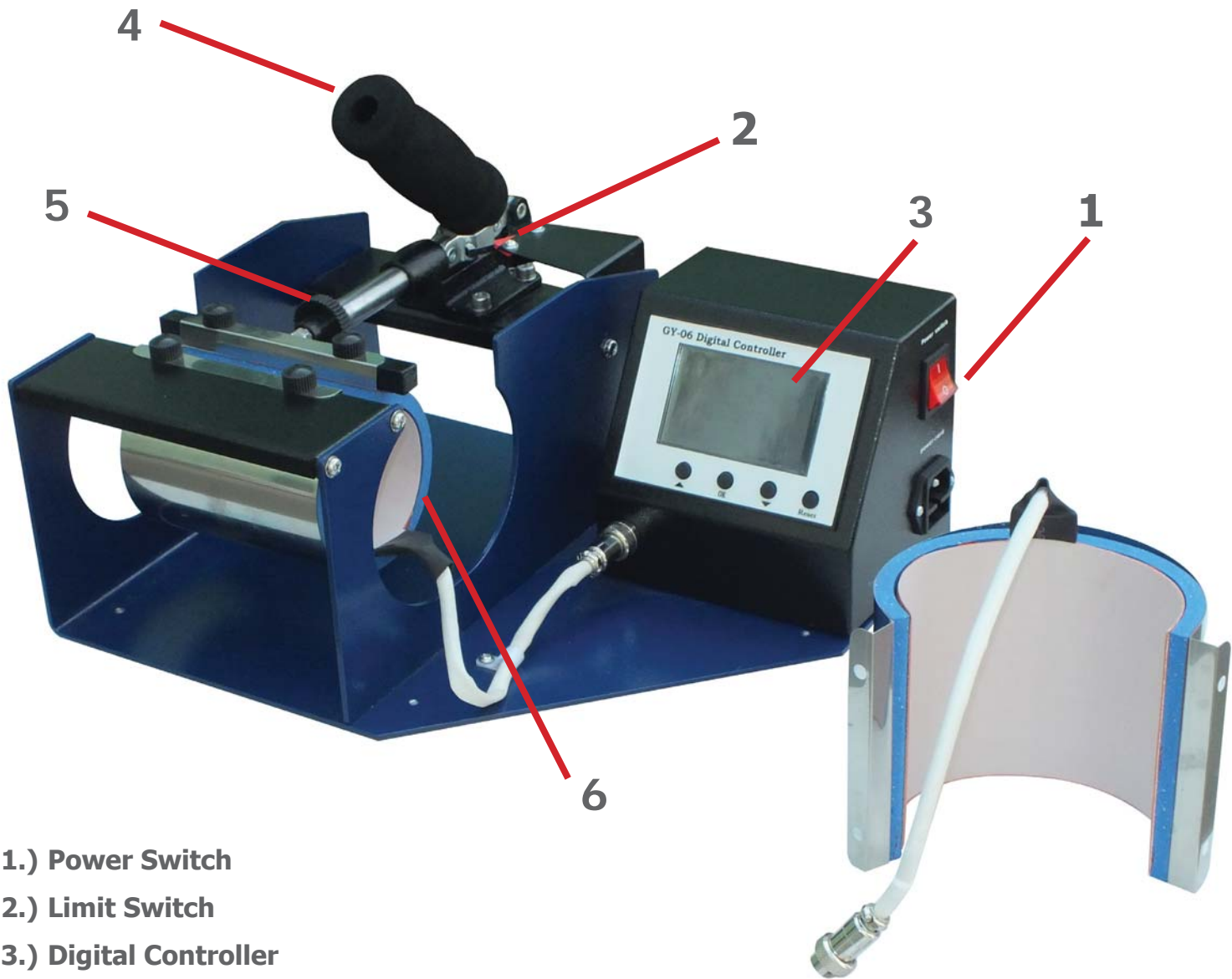
Do not use any other power cords other than the one provided with this machine. Doing so may result in a fire hazard. If you need a replacement cord, please call Joto to request one.

Congratulations on your purchase of a Joto 2 in 1 Mug Press! In order to work professionally with the machine and start production, please make sure you read this manual carefully. Reproduction of this manual requires written consent from Joto. Errors and amendments of technical details excepted, all rights reserved. Joto is not liable for any direct or indirect damages caused by the use of this product.

Table of Contents

Safety.....	2
Introduction	3
Machine Parts Diagram	4
Setting Up Your Mug Press.....	5
Operating Instructions	6
Mug Press Overview	7
Maintenance	8
Joto Sublimation Guide	8
Replacing The Mug Element	9
Circuit Diagram.....	10
Expanded View	11
Contact Information	12

Machine Parts Diagram



- 1.) Power Switch
- 2.) Limit Switch
- 3.) Digital Controller
- 4.) Handle Bar Grip
- 5.) Pressure Adjuster
- 6.) Mug Heater

Setting Up Your Mug Press

Turning On Your Mug Press

Turn the Main Power Switch on. The Main Power Switch is at the right side of the heat press.

Current temperature, set temperature, current time, set time will display.



How to Read The Display

- 1.) Left side PV value = Current Temperature
- 2.) Right side PV value = Current Time
- 3.) Left side SV value = Set Press Temperature
- 4.) Right side SV value = Set Press Time



Setting Press Temperature

Press OK to start. Use the up and down arrows to choose to display in °F or °C.
°F stands for Fahrenheit
°C stands for Celsius

Once selection is made, press ok to save

Green set temperature value will flash.
Use the up and down arrows to set press temperature value. Press ok to save



Note: Setting the press temperature to above 200C may cause a fire hazard.

Setting Press Time

Green Set Time Value will flash
Use the up and down arrows to change the value.

Press ok to save the value.

Wait until the current temperature is the same as the set temperature before using. The press will beep once set temperature is reached. Close and open the press to stop the beeping



Operating Process

Pressing a Mug

- 1.) Turn on the Power Switch
- 2.) Set the appropriate Press Temperature, and Time.
- 3.) Tape your imaged transfer/sublimation paper to your mug with heat tape.
- 4.) Set the pressure. To do this, place a blank mug into the mug element. Adjust the pressure knob until the mug fits snugly in the element (just enough pressure so that the mug cannot be moved once press is closed).
Turn pressure knob counter-clockwise to tighten and clockwise to loosen.
- 5.) Wait until current temperature is the same as set temperature. Once the mug press is at temperature, place mug into the press. Close the mug press.
- 6.) Timer will start counting down. The press will beep when the set time has lapsed. When mug press beeps, open mug press and take out mug.
Note: Ensure the timer starts immediately after closing the press. If it does not, take the mug out & wait for the temperature to go up to the set temp.
- 7a.) For sublimation, peel immediately and dunk into warm-cold water
- 7b.) For Hard Surface Papers, Dunk in warm-cold water. Then wait until the mug is cold before peeling.

Pressing a Water bottle

- 1.) Turn on the Power Switch
- 2.) Set the appropriate Press Temperature, and Time.
- 3.) Tape your imaged transfer/sublimation paper to your mug with heat tape.
- 4.) Set the pressure. To do this, place a blank water bottle into the mug element. Adjust the pressure knob until the bottle fits snugly in the element with the heat shield wrapped around the bottle (just enough pressure so that the bottle and heat shield cannot be moved once press is closed).
Turn pressure knob counter-clockwise to tighten and clockwise to loosen.
- 5.) Wait until current temperature is the same as set temperature. Once the mug press is at temperature, place mug into the press. Close the mug press.
Note: Ensure the timer starts immediately after closing the press. If it does not, take the bottle out & wait for the temperature to go up to the set temp.
- 6.) Timer will start counting down. The press will beep when the set time has lapsed. When mug press beeps, open mug press and take out mug.
- 7a.) For sublimation, peel immediately and dunk into warm-cold water
- 7b.) For Hard Surface Papers, Dunk in warm-cold water. Then wait until the mug is cold before peeling.

Mug Press Overview



Technical Specs

1. Model No.: E-HP-JMP-21
2. Machine Dimension: 310 x 290 x 150mm
3. Mug Heater Size: Dia.6-7.5cm for 6oz,9oz,10oz etc Mug
Dia.7.5-9.0cm for 11oz,15oz etc Mug
4. Printable Articles Max Size: ϕ 100 x120mm
5. Voltage: 220V/1Phase; 110V/1Phase
6. Power: 0.3KW
7. Recommend Setting: 30~280s; 180~200°C
Time Range: 0~999s
Maximum Temp: 200C or 400F
8. Packing Size: 41 x 39 x 33cm
9. Gross Weight: 4.75kg

Note: This mug press should not be set to exceed 200C. Setting the press temperature to above 200C will burn out your mug element and may cause a fire hazard.

Maintenance

General Maintenance

Please switch off the machine and unplug the power cord when the machine is not in use.

To prolong the life of the mug press, do not use excessive pressure when pressing mugs. If excessive pressure is used, this may damage the mug press or the mug element and cause it to malfunction

Keep the mug press in a dry place at all times.

Mug elements will wear out over time. When they wear out, you will need to replace them with new ones. The rated life expectancy of an mug element is approximately 1000-2000 mugs. Elements may wear out earlier due to other factors:

- 1.) No mug is in the press when on and the press is closed
- 2.) Physical abuse
- 3.) Environmental factors

For better maintenance of mug press, the maximum setting temperature is 200 degrees C (400 degrees F). Do not set temperature over this maximum setting. Doing so will burn out the mug element and may become a fire hazard.

Mug Pressing Guide

11oz Mugs

Temperature: 180C
Time: 150-180 seconds

20oz Glass Beer Mug

Temperature: 180C
Time: 240 seconds

Aluminum Water Bottles

Temperature: 160C
Time: 120-140 seconds

15oz Mugs

Temperature: 180C
Time: 150-180 seconds

16oz Frosted Beer Mug

Temperature: 180C
Time: 240 seconds

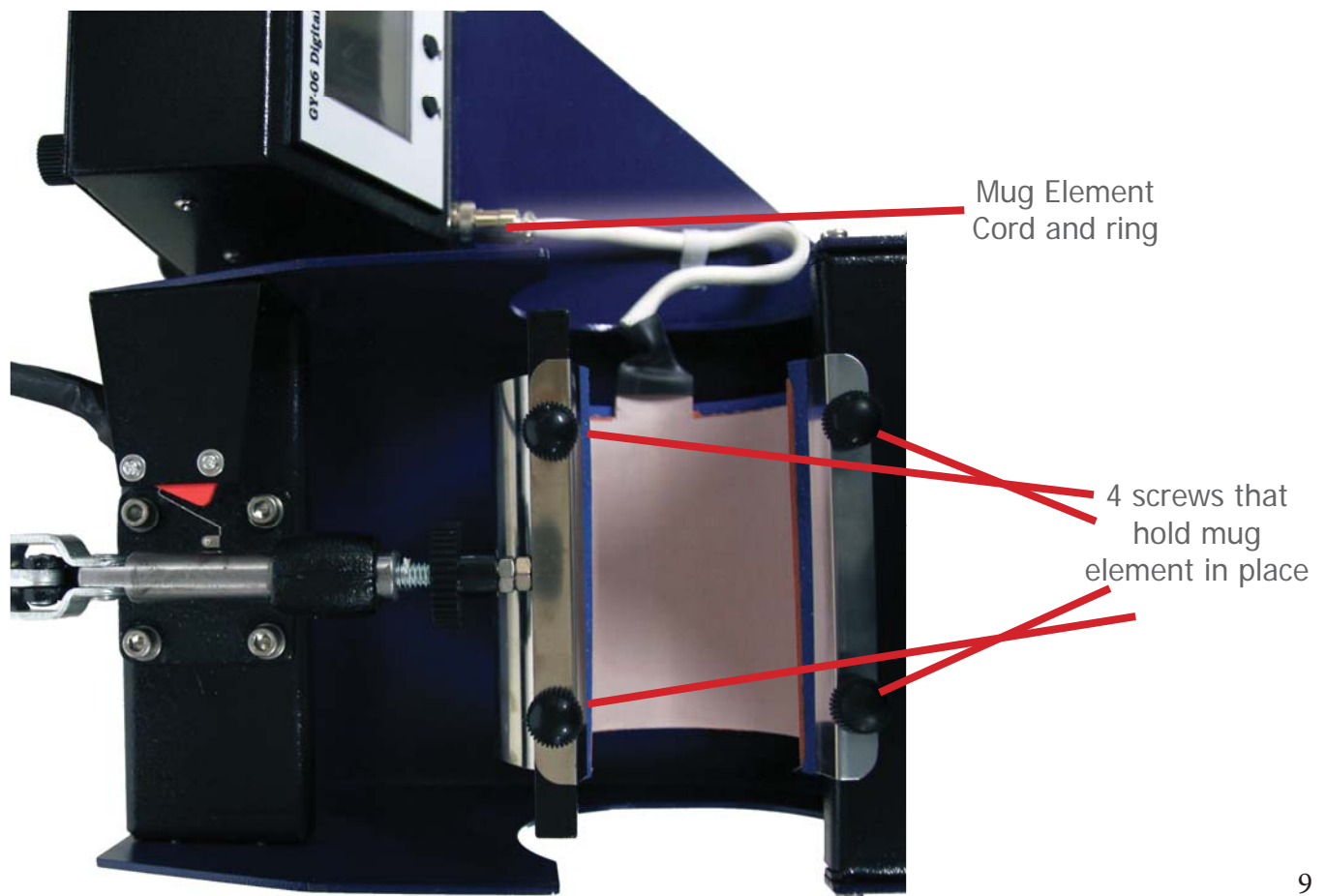
Stainless Steel Water Bottles

Temperature: 160C
Time: 120-140 seconds

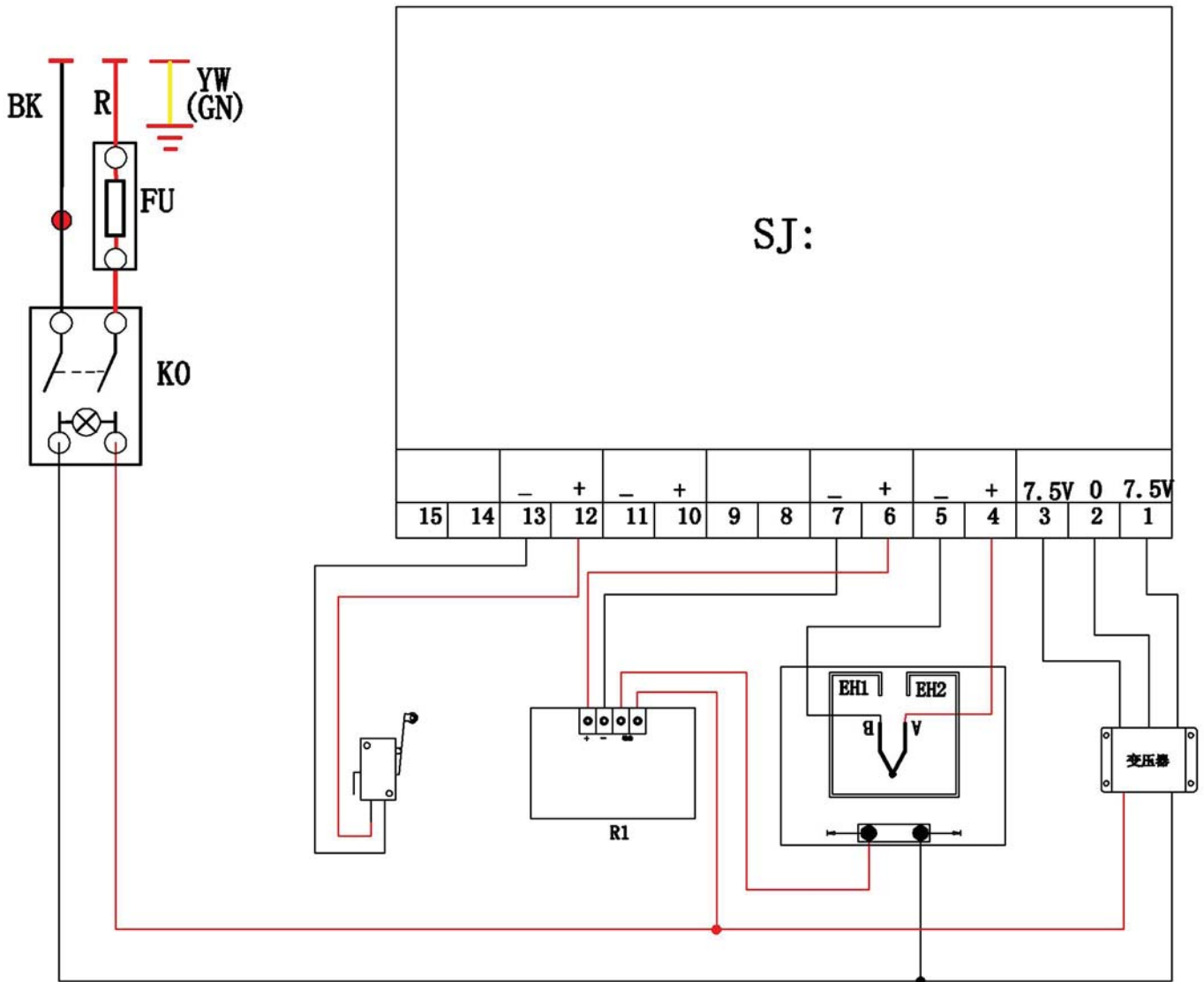
Replacing The Mug Element

Replacing your Mug Element

- 1.) Ensure the power switch is off
- 2.) Unplug the mug press if it is still plugged in.
- 3.) Detach the mug element cord from the mug press. Unscrew the ring that holds the cord in place before detaching. See below diagram for detailed instructions
- 4.) With the Mug Press open, unscrew the four screws that hold the mug element in place.
- 5.) Gently slide the mug element out of the mug press. Please be careful not to damage the cord or the mug press.
- 6.) Gently slide the new mug element into the mug press
- 7.) Re-screw the four screws to keep the mug element in place
- 8.) Connect the new mug element cord to the mug press.
Ensure that the pattern on the cord matches the socket on the mug press.



Circuit Diagram



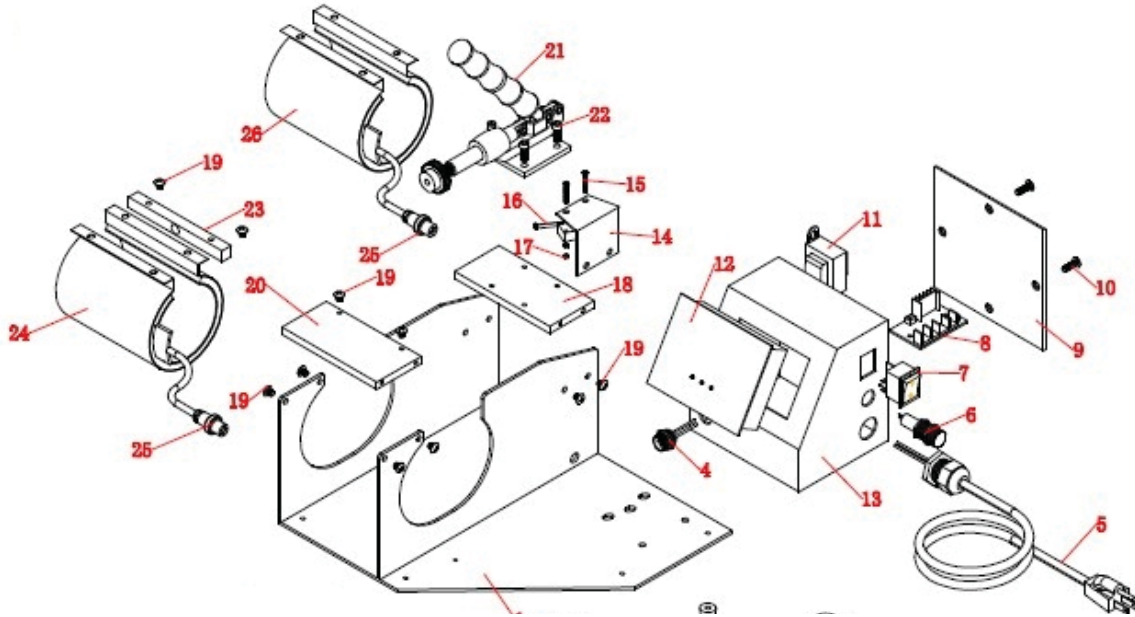
K₀: Power Switch
 SJ: Digital Controller

FU:Fuse
 R1:Relay

T: Transformer

EH₁EH₂:Heating Pipe

Expanded Diagram



Serial No.	Part Name	Qty
1	Machine Base	1
2	Screw	5
3	Rubber Foot	5
4	Female Socket	4
5	Power Cord	1
6	Fuse	1
7	Power Switch	1
8	Solid State Relay	1
9	Electrical Case Cover	1
10	Screw	4
11	Transformer	1
12	GY-06 Digital Controller	1
13	Electrical Case	1
14	Limit Switch Cover	1
15	Screw	2

Serial No.	Part Name	Qty
16	Limit Switch	1
17	Nut	4
18	Connect Board	1
19	Screw	12
20	Adapter Plate	1
21	Handle Bar Grip	1
22	Hex Head Screw	4
23	Heater Fixing Connector	1
24	Small Mug Heater	1
25	Male Socket	1
26	Big Mug Heater	1
		1

JOTOTM



Bringing images to lifeTM

www.jotopaper.com

Tel: 1-800-565-5686

Fax: 1-800-565-5622

Coquitlam, BC | Mississauga, ON

Blaine, WA | Las Vegas, NV | Nashville TN | Akron OH