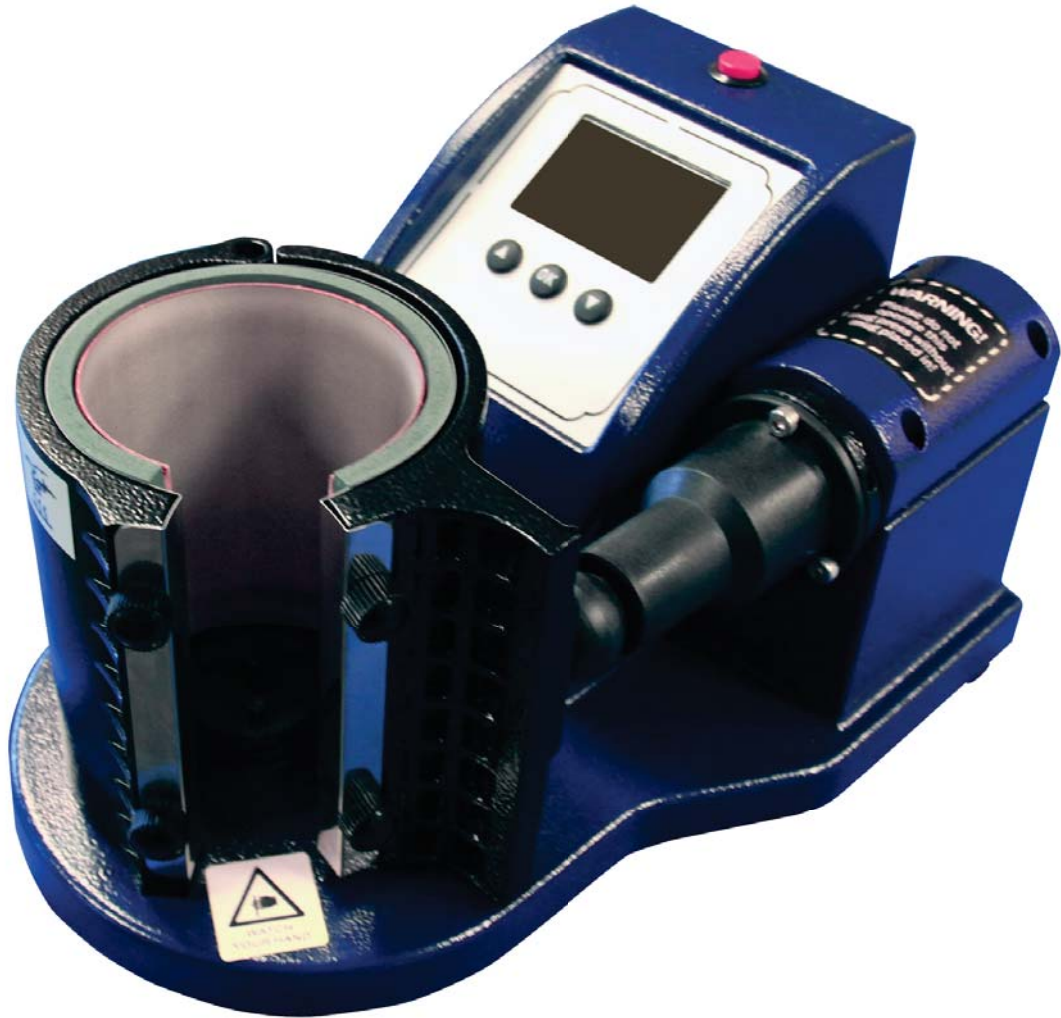


Joto Automatic Mug Press Manual

Model No.: E-HP-JMP-AUTO

OPERATOR'S MANUAL



JOTOTM
Bringing images to lifeTM

Safety Instructions

For Use By Qualified Personnel Only

When using your Mug Press, basic precautions should always be followed, including the following:

Read all instructions.

Use mug press only for its intended use.

Keep the mug press dry at all times. Do not get the mug press wet to reduce the risk of electric shock. Do not store mug press in a wet or damp area.

Never pull cord to disconnect the power, grasp plug and pull to disconnect from power outlet.

Protect the power cord by keeping it away from hot surfaces. Do not allow objects to sit on top of the cord. This could cause damage to the cord and could become a fire hazard risk.

Do not operate mug press with a damaged cord or if the equipment has been damaged. Do not disassemble or attempt to repair the mug press to prevent risks to injury. Call or take it to a qualified service person for examination and repair. Incorrect assembly or repair could increase the risk of fire, electric shock, or injury to persons when the equipment is used.

Supervision is necessary for any mug press being used by or near children. Do not leave equipment unattended while connected.

Metal parts on the press can become hot. Burns may occur when touching hot metal parts. Take caution when using the mug press

To reduce the likelihood of circuit overload, It is recommended to use a dedicated circuit if possible.

Care should be taken to arrange the cord so that it cannot be pulled or tripped over.

If an extension cord is necessary, then a 20 amperage rated cord should be used. Cords rated for less amperage may overheat. Care should be taken to arrange the cord so that it cannot be pulled or tripped over.

Note: Temperature is in Celsius. This mug press should not be set to exceed 200C. Setting the press temperature to above 200C will burn out your mug element and may cause a fire hazard.

Never activate the pressure sensor without a mug inside the mug press.

Do not use any other power cords other than the one provided with this machine. Doing so may result in a fire hazard. If you need a replacement cord, please call Joto to request one.

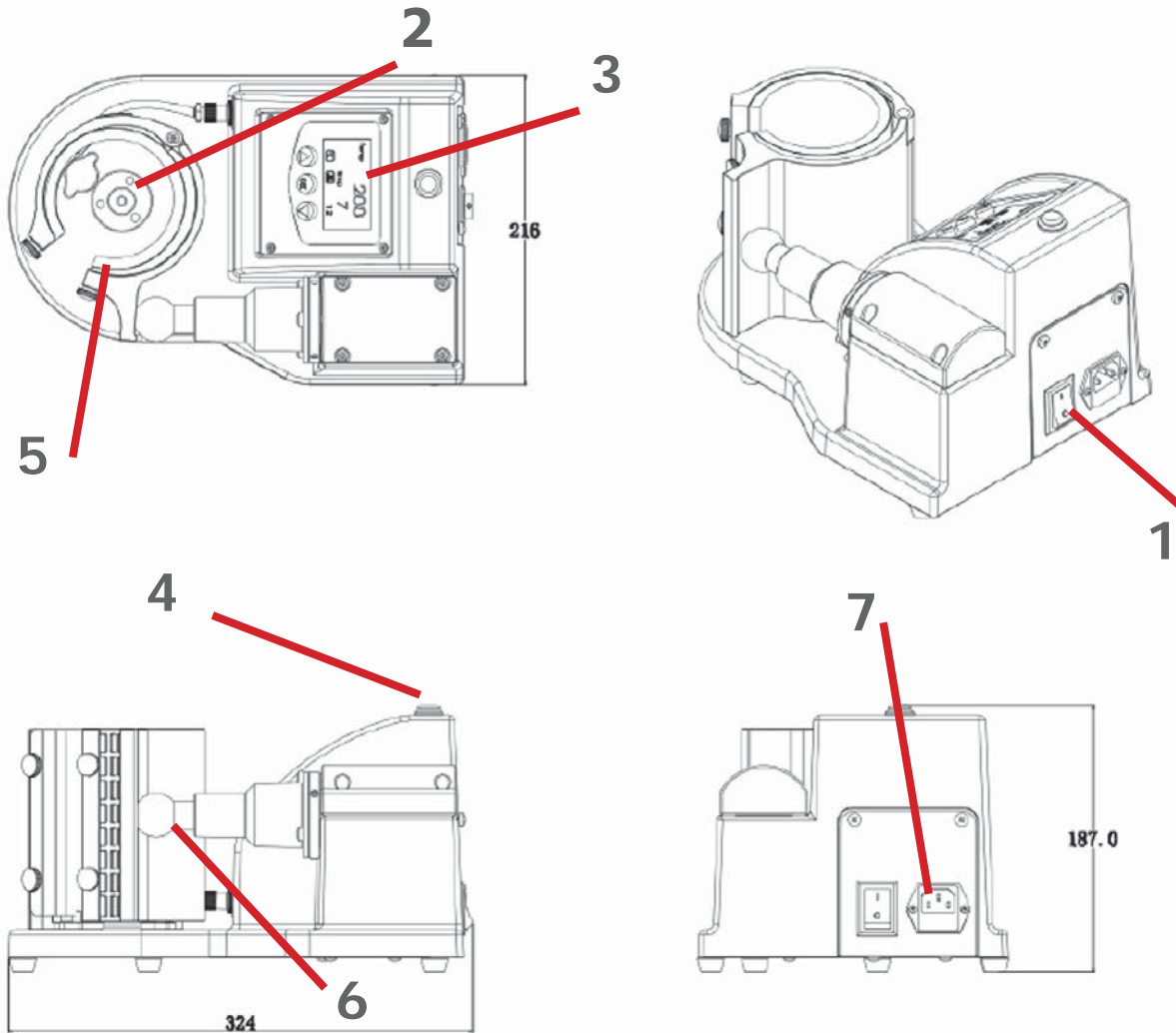
Congratulations on your purchase of a Joto Automatic Mug Press! In order to work professionally with the machine and start production, please make sure you read this manual carefully.

Reproduction of this manual requires written consent from Joto. Errors and amendments of technical details excepted, all rights reserved. Joto is not liable for any direct or indirect damages caused by the use of this product.

Table of Contents

Safety.....	2
Introduction	3
Machine Parts Diagram	4
Setting Up Your Mug Press.....	5
Operating Instructions	6
Mug Press Overview	7
Maintenance	8
Joto Sublimation Guide	8
Replacing The Mug Element	9
Circuit Diagram.....	10
Expanded View	11
Contact Information	12

Machine Parts Diagram



- 1.) Power Switch
- 2.) Touch Sensor
- 3.) Digital Controller
- 4.) Emergency Open button
- 5.) Mug Element
- 6.) Electrical-Mechanical Pressure Knob
- 7.) Power Plug

Setting Up Your Mug Press

Turning On Your Mug Press

- 1.) Turn the Main Power Switch on.
- 2.) The Main Power Switch is at the back of the mug press
- 3.) Current temperature, Current time will display on panel



Setting the Temperature Display Unit

- 1.) Once Press is turned on. Press the "OK" Button
- 2.) The F symbol on the bottom of the display will flash
- 3.) Use the top and bottom arrows to switch from Fahrenheit to Celsius and vice versa.



Setting Press Temperature

- 1.) Once you have selected the temperature unit, Press "OK"
- 2.) The temperature value is now flashing. Also the value now changes from current temp, to set temp
- 3.) Use the up and down arrow to increase or decrease the desired temperature.



Note: Setting the press temperature to above 200C may cause a fire hazard.

Setting Press Time

- 1.) Once you have selected the set temp, press "OK"
- 2.) The time value is now flashing.
- 3.) Use the up and down arrow to increase or decrease the desired time.



Wait until the current temperature is the same as the set temperature before using. The press will beep once set temperature is reached.

Note: If the press is left idle for more than 10 seconds while setting up the temperature and time, the press will reset back to the default display screen. If this happens, please go back to the top of the instructions and start again.

Operating Process

Pressing a Mug

- 1.) Turn on the Power Switch
- 2.) Set the appropriate Press Temperature, and Time.
- 3.) Tape your imaged transfer/sublimation paper to your mug with heat tape.
- 4.) Wait until current temperature is the same as set temperature. Once the mug press is at temperature, place mug into the press.
- 5.) Ensure that the mug touches the touch sensor at the bottom to activate the Auto Wrap feature
Note: Never activate the touch sensor without a mug inside.
Warning: Watch your fingers when placing the mug inside the press
- 6.) Timer will start counting down. When mug press counts down to zero, it will open the wrap automatically. If you need to open the press before the countdown reaches zero, please push the red emergency stop button.
- 7a.) For sublimation, peel immediately and dunk into warm-cold water
- 7b.) For Hard Surface Papers, Dunk in warm-cold water. Then wait until the mug is cold before peeling.

This mug press model can only do 11oz mugs For water bottles, and other drink ware, please call Joto at 1-800-565-5686 to recommend a mug press suitable for what you want to do.

Mug Press Overview



Technical Specs

1. Model No.: E-HP-JMP-AUTO
2. Machine Dimension: 12.8" x 8.5" x 7.4" (324*216*187mm)
3. Mug Heater Size: Dia 11oz mug
4. Printable Articles Max Size: $\phi 75 \times 90$ mm
5. Voltage: 110V/1Phase
6. Power: 260W
7. Recommend Setting: 30~280s; 180~200°C/356~392°F
Time Range: 0~999s Maximum Temp: 230 C°/446°F
8. Packing Size: 1380*265*250mm
9. Gross Weight: 5.5KG

Note: This mug press should not be set to exceed 200C. Setting the press temperature to above 200C will burn out your mug element and may cause a fire hazard.

Maintenance

General Maintenance

Please switch off the machine and unplug the power cord when the machine is not in use.

Keep the mug press in a dry place at all times.

Mug elements will wear out over time. When they wear out, you will need to replace them with new ones. Elements may wear out earlier due to other factors:

- 1.) No mug is in the press when on and the press is closed
- 2.) Physical abuse
- 3.) Environmental factors

For better maintenance of mug press, the maximum setting temperature is 200 degrees C (400 degrees F). Do not set temperature over this maximum setting. Doing so will burn out the mug element and may become a fire hazard.

Never activate the touch sensor without a mug inside. Doing this will require mug press repair by a technician or by user over the phone.

Mug Pressing Guide

11oz Mugs

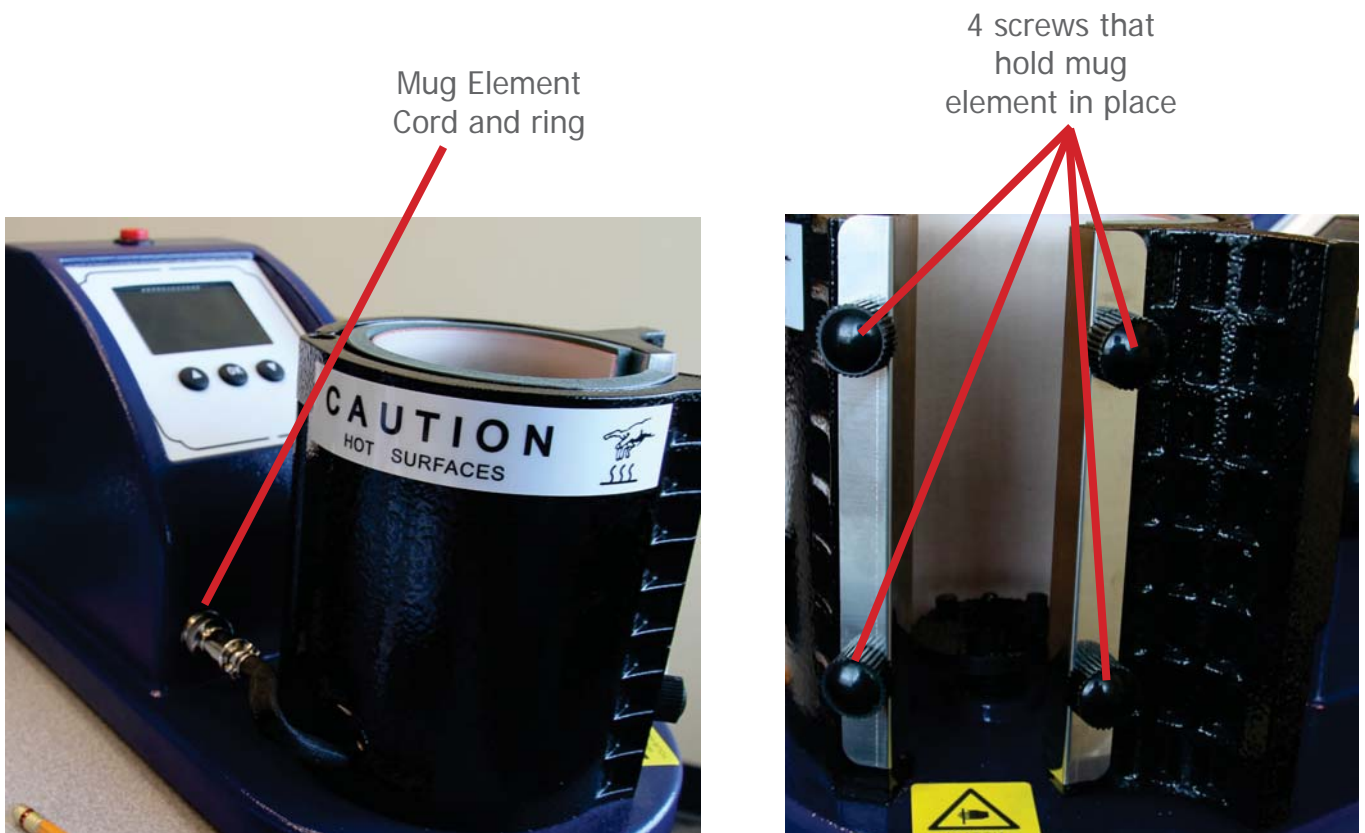
Temperature: 180C

Time: 150-180 seconds

Replacing The Mug Element

Replacing your Mug Element

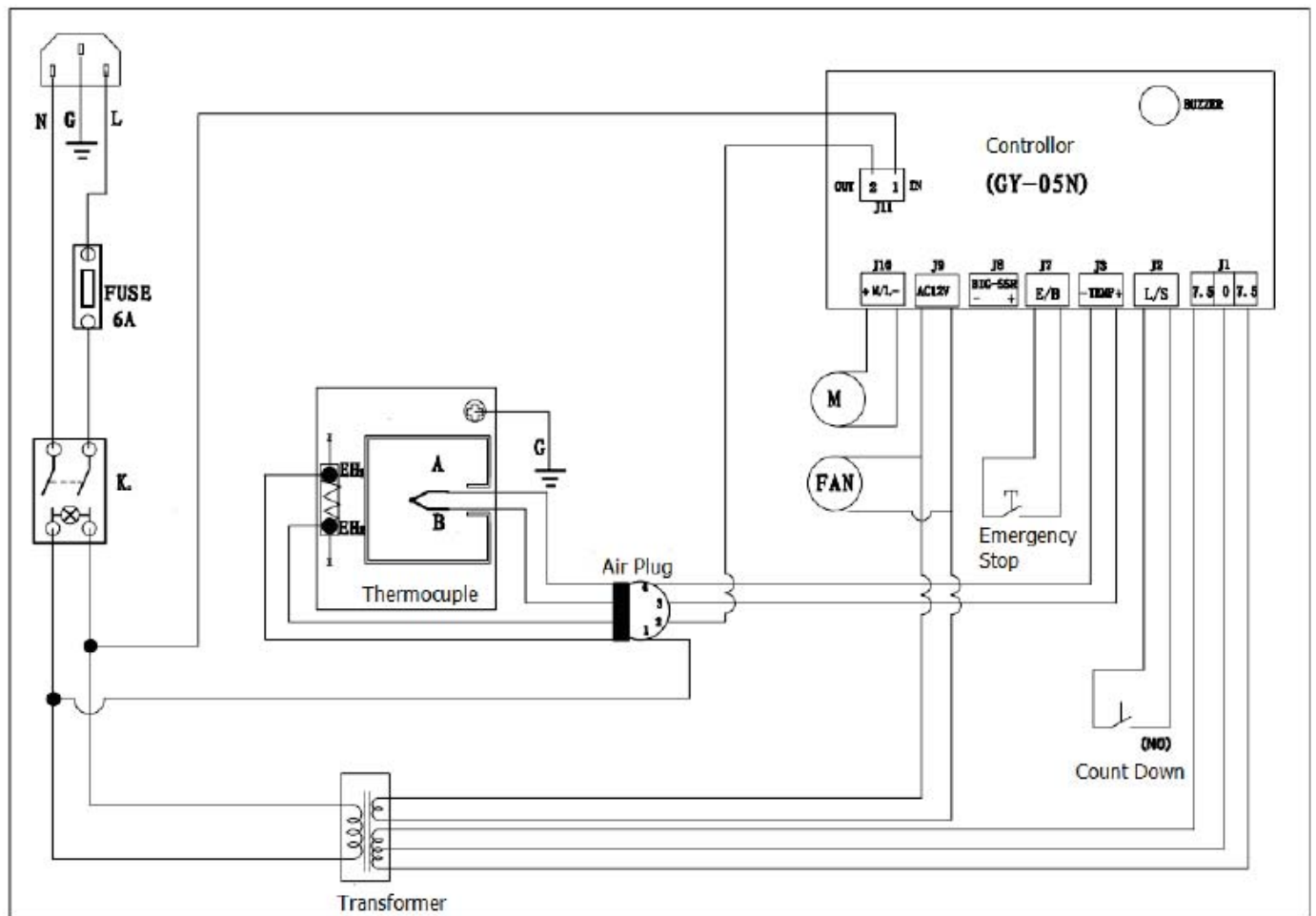
- 1.) Ensure the power switch is off
- 2.) Unplug the mug press if it is still plugged in.
- 3.) Detach the mug element cord from the mug press. Unscrew the ring that holds the cord in place before detaching. See below diagram for detailed instructions
- 4.) With the Mug Press open, unscrew the four screws that hold the mug element in place.
- 5.) Gently slide the mug element out of the mug press. Please be careful not to damage the cord or the mug press.
- 6.) Gently slide the new mug element into the mug press
- 7.) Re-screw the four screws to keep the mug element in place
- 8.) Connect the new mug element cord to the mug press.
Ensure that the pattern on the cord matches the socket on the mug press.



Circuit Diagram

Serial No.	Part Name	Qty
23	Stainless Steel Cover	1
24	Heating Element	1
25	M5X6 Screw	4
26	Air Plug	1
27	Controller Cover	1
28	GY-05N Digital Controller	1

Serial No.	Part Name	Qty
29	Touch Sensor	1
30	Controller Screw	4
31	M3X20 Screw	9
32	M4 Nut	6
33	M4 Spring Washer	2



K₀: Power Switch
SJ: Digital Controller

FU: Fuse
R1: Relay

T: Transformer

EH₁EH₂: Heating Pipe

JOTOTM

The logo for JOTO features the word "JOTO" in a bold, black, serif font. A red swoosh underline is positioned beneath the letters, starting under the 'J' and extending to the right, ending under the 'O'. A small "TM" trademark symbol is located to the upper right of the word.

Bringing images to lifeTM

www.jotoimagingssupplies.com

Tel: 1-800-565-5686

Fax: 1-800-565-5622

Coquitlam, BC | Mississauga, ON

Blaine, WA | Las Vegas, NV | Nashville TN